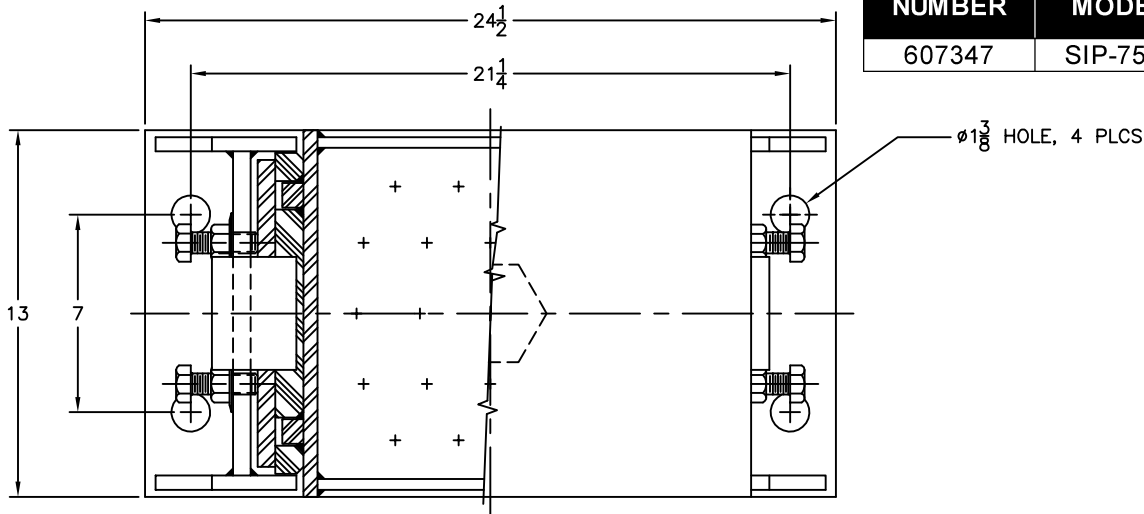


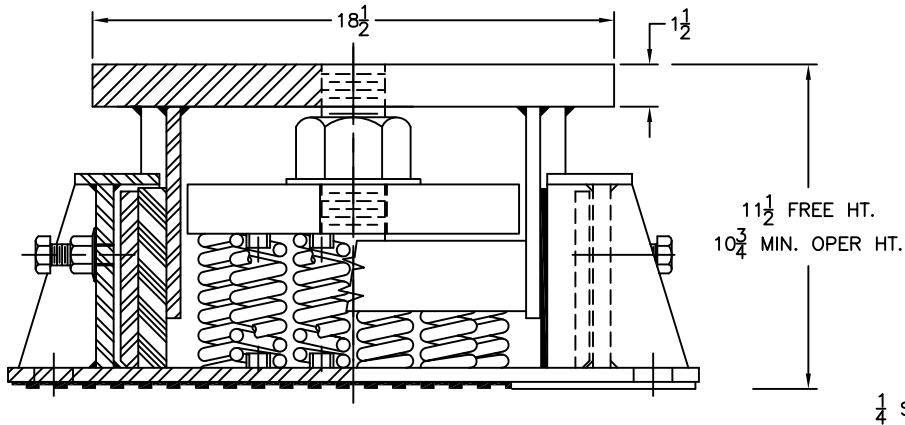
123R-103921 REV.: 1

REV.	DESCRIPTION	DATE	BY

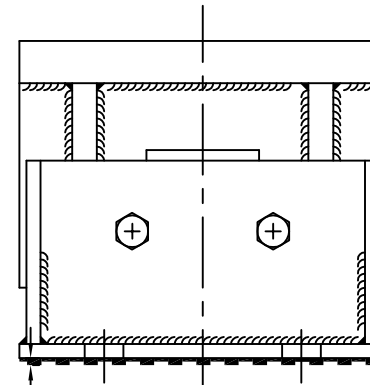
PART NUMBER	ISOLATOR MODEL	MAX. STEADY (LBS)	MAX. IMPACT (LBS)	ISOLATOR CONSTANT (LBS)	COLOR CODE
607347	SIP-7522	42000	31000	64000	PINK



- NOTES:
1. ALL DIMENSIONS ARE IN INCHES, INTERPRET PER ANSI Y14
  2. MINIMUM OPERATING HEIGHT: 10 3/4"
  3. STANDARD FINISH: CONTACT VMC FOR ADDITIONAL AVAILABILITY
    - A. STEEL WELDMENTS: STANDARD VMC COLOR
    - B. SPRING: POWDER COATED
    - C. HARDWARE: ELECTRO-ZINC PLATED
  4. TAPPED HOLES IN ISOLATOR TOP PLATE CAN BE PROVIDED TO SUIT CONDITIONS.
  5. ESTIMATED WEIGHT: 400 LBS



1/4" SOUND PAD



OTHER MATERIALS, COMPOUNDS, OR FINISHES WITH EQUAL OR SUPERIOR PROPERTIES MAY BE SUBSTITUTED AS THEY BECOME AVAILABLE.

**CERTIFIED FOR:**

JOB NAME: \_\_\_\_\_  
 CUSTOMER : \_\_\_\_\_  
 CUSTOMER P.O.: \_\_\_\_\_  
 SALES ORDER: \_\_\_\_\_

**MODEL SIP-7522 42,000 LBS.  
 SPRING ISOLATOR WITH  
 ADJUSTABLE SNUBBER**



**THE VMC GROUP**  
*The Power of Together*  
 Bloomingdale, NJ 07403  
 Houston, TX 77041

SCALE :

NONE

SHEET:



DRAWING NO.:

REVISION